

2024

# **BULLFROG SPAS PRE-DELIVERY GUIDE**

# PREPARING YOUR SPA FOR DELIVERY

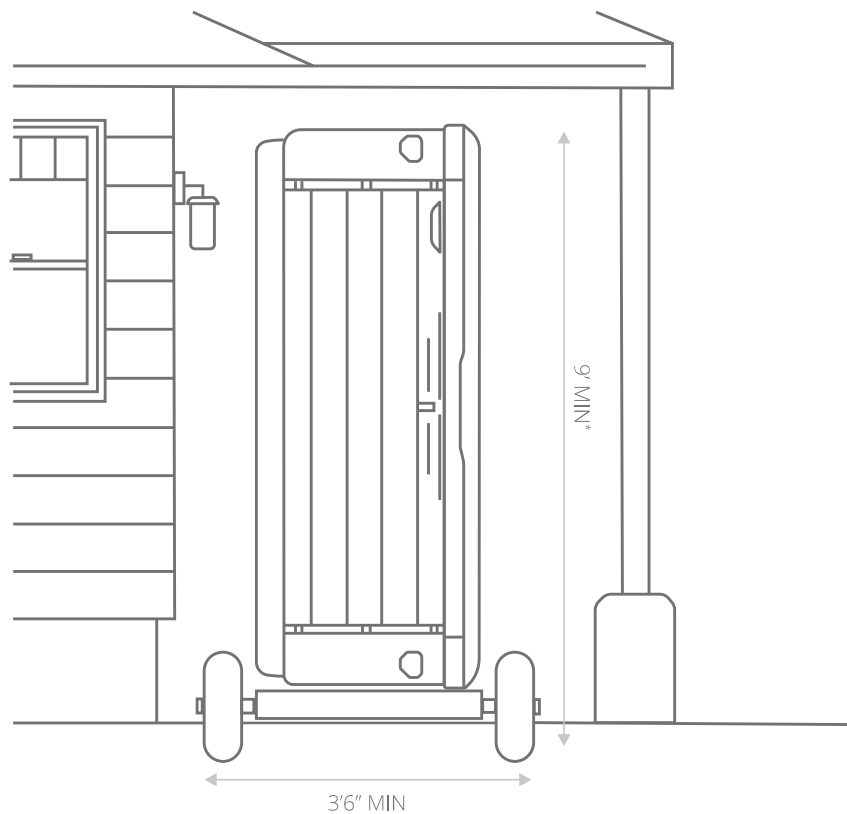
A standard delivery may be accomplished using specialized spa moving equipment if your delivery path meets the following criteria. If your yard does not meet these criteria, please tell the delivery team when delivery is scheduled in order to make arrangements for a crane or other delivery method.

## CRITERIA

- 1: The path is reasonably flat. (The spa dolly can go over grass, gravel, and dirt.)
- 2: The chosen path and final resting space can accommodate up to 3 feet 6 inches wide and 9 feet for our largest hot tub.
- 3: The spa will rest no more than 4 feet off the ground.
- 4: Your electrical is complete and up to code.

### NOTE:

Additional charges may apply if standard delivery criteria is not met.



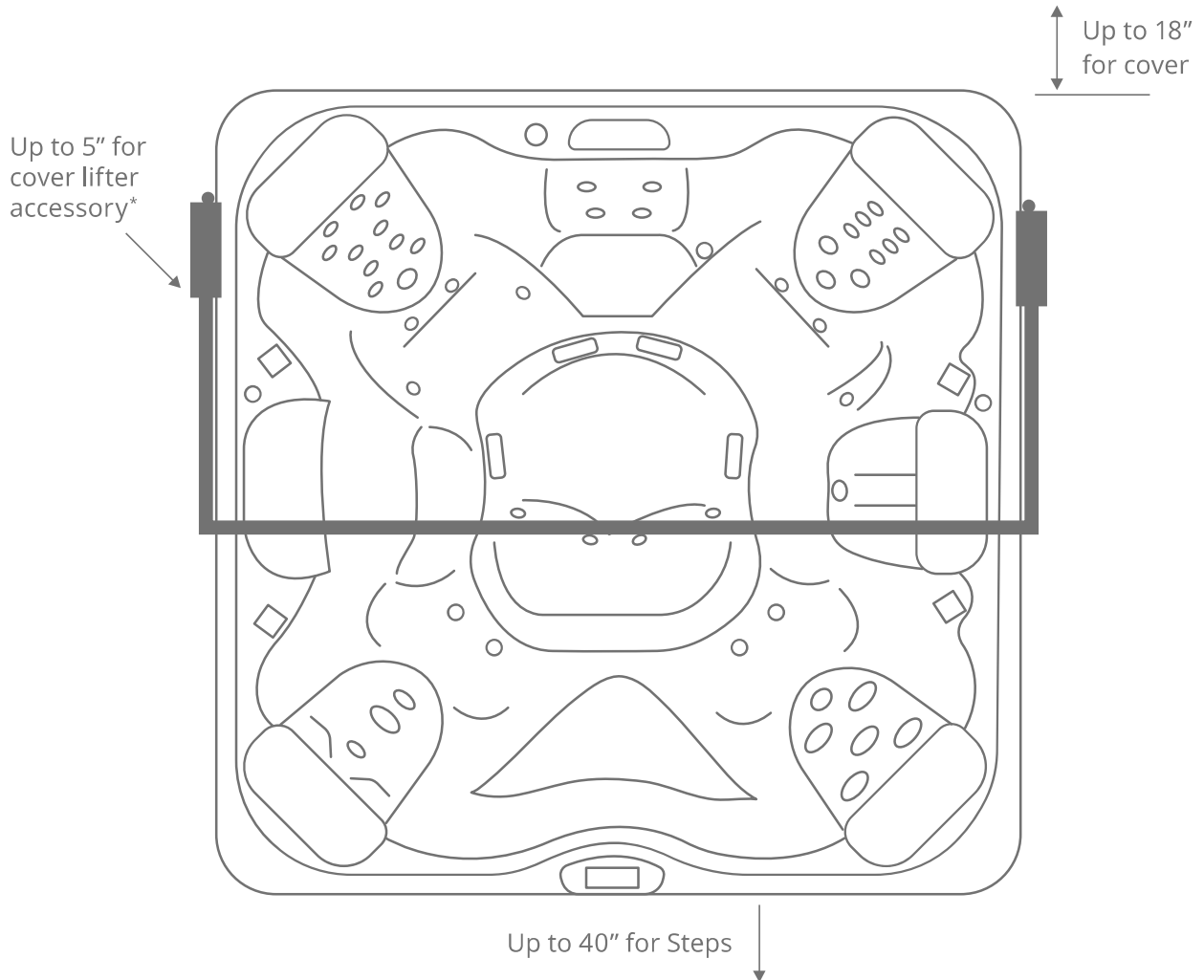
\* M9 and A9 will require up to 12' if the delivery requires the spa to be put on its short side.

# CHOOSING A LOCATION

Double-check the spa dimensions when deciding where to locate your spa. A level, poured concrete slab at least 4 inches thick is recommended for the base of your spa, but other surfaces may also be acceptable. **DO NOT** use shims to level your spa.

## COMMON SURFACE CHOICES:

Concrete pad, pavers, contained pea gravel, and decking.



\*This is for a Covermate I™ Cover Lifter bar. Ask sales associate for other lifter options and clearance needed.

# POWER REQUIREMENTS

A: Supply line (50amp) (60 amps for A9L, M9 and M8 Models)

B: Spa disconnect/breaker with GFCI

C: Consult electrician on what conduit to use.

D: Example of optional stub up location (this is underneath the spa). Please refer to your Owner's Manual for specific placement of stub up location on your spa model.

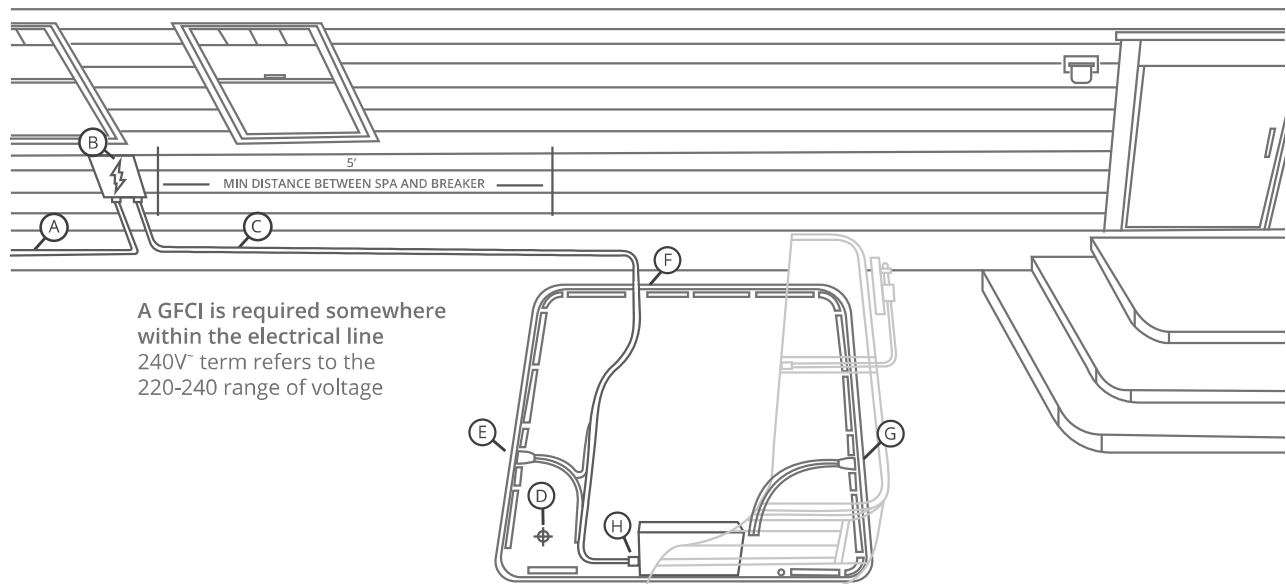
E: Electrical chase way option built into your hot tub (Left)

F: Electrical chase way option built into your hot tub (Back)

G: Electrical chase way option built into your hot tub (Right)

H: Hard wire connection inside of spa

**We don't provide electrical wiring. If you need a quote, contact a licensed electrician.**



# ELECTRICAL WIRE LENGTH & RECOMMENDATIONS

This document will provide you and your electrician with the amount of wiring you will need from your GFCI box to your new Bullfrog Spa.

## INSTRUCTIONS

### STEP 1:

Measure the distance of 1 (GFCI box to ground) enter number of feet in first box below.

### STEP 2:

Measure distance of 2 (GFCI to spa) enter number of feet in second box below.

### STEP 3:

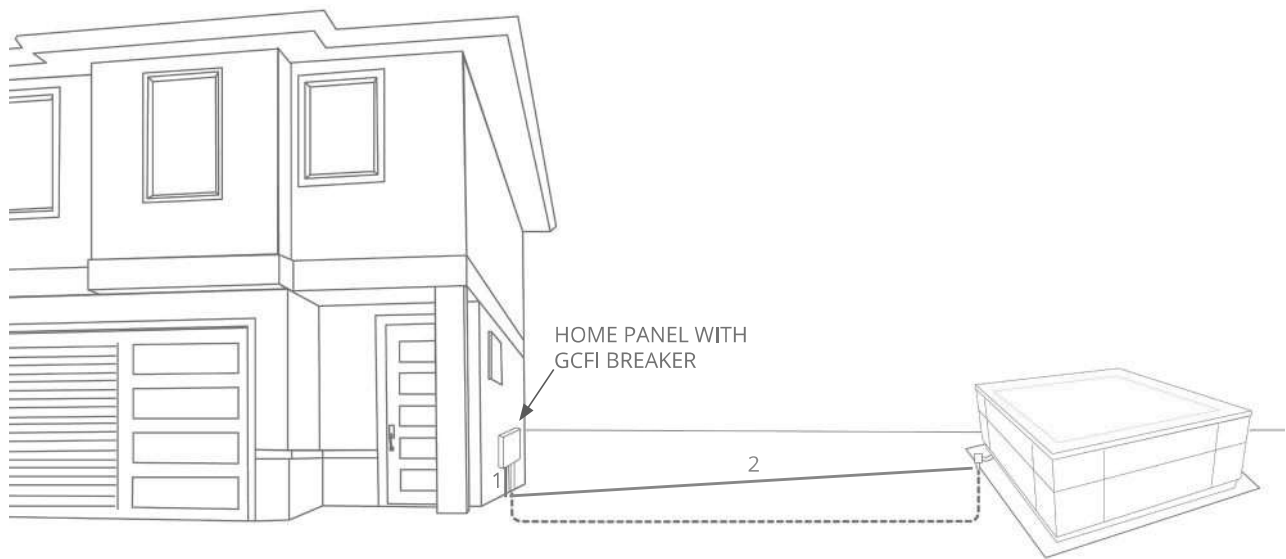
Add box 1 and box 2 to get the length of wire in feet needed from GFCI to spa.

### STEP 4:

On pages 6–8, find your spa model, decide where the front of the spa will be in your backyard, and determine what chase-way you will use. (Swim Models can be found on page 4).

### STEP 5:

On page 2, write in box 1, your chase-way length. In box 2, write in the length of wire from previous page. Add box 1 and box 2 and this will be the total length of wire needed.



DISTANCE 1

+

DISTANCE 2

=

LENGTH OF WIRE

LENGTH OF CHASE-WAY  
FROM BELOW

LENGTH OF WIRE  
FROM FRONT

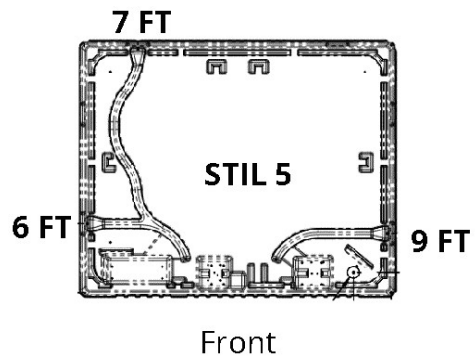
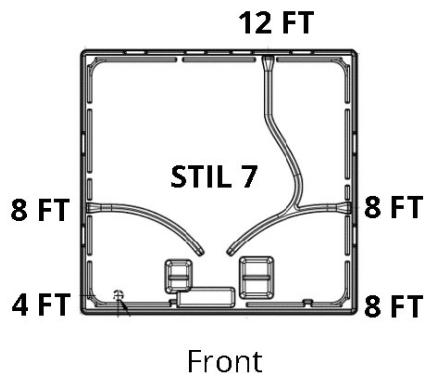
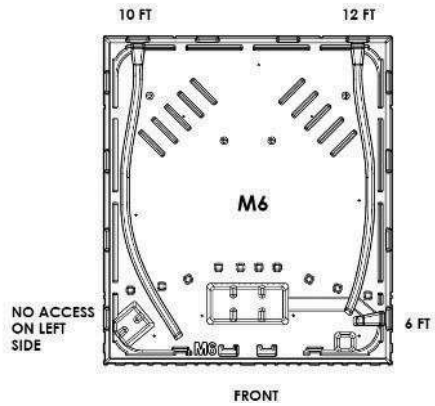
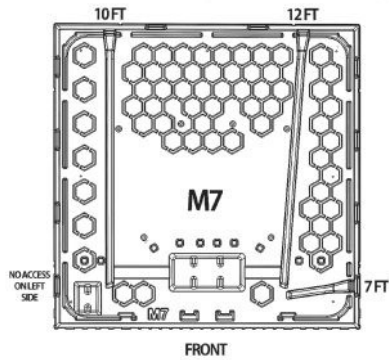
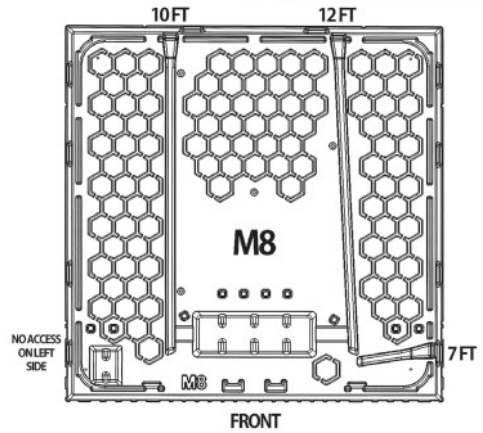
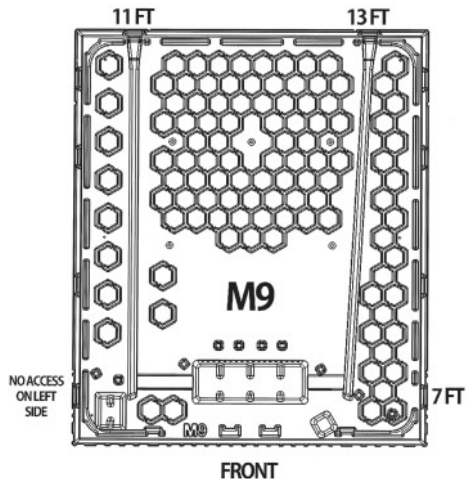
TOTAL LENGTH OF  
WIRE NEEDED

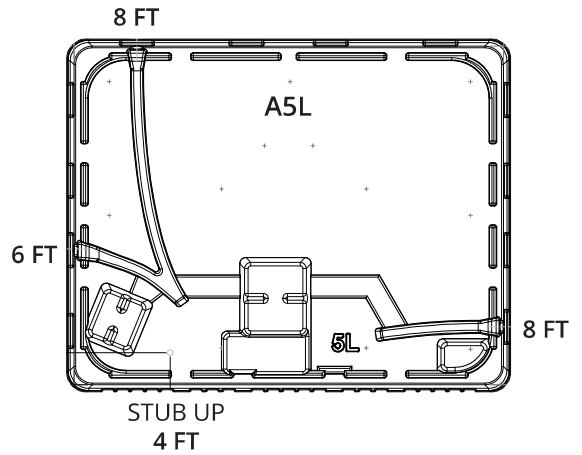
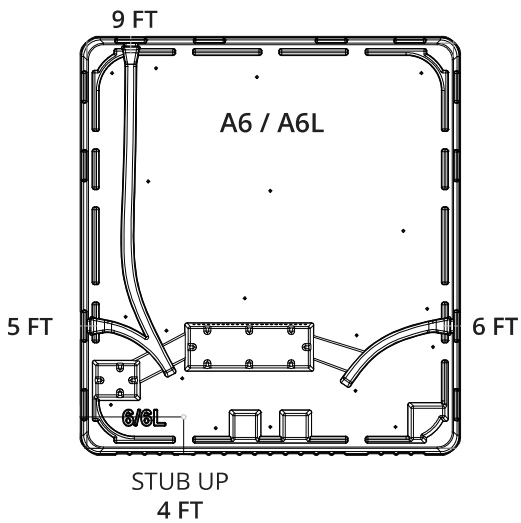
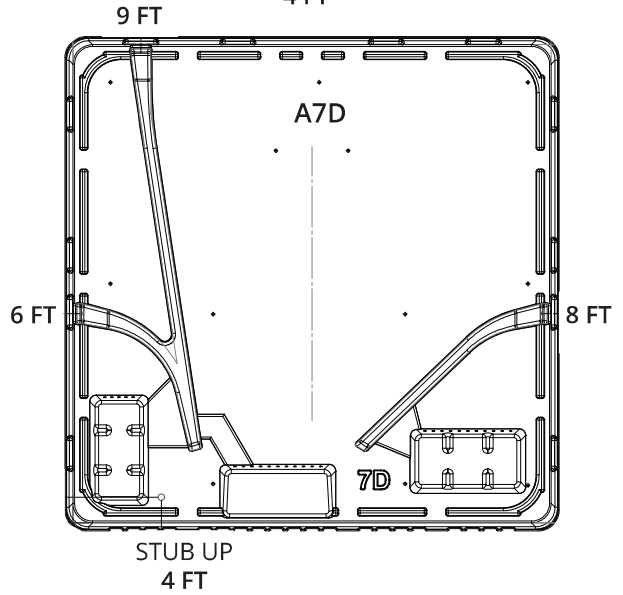
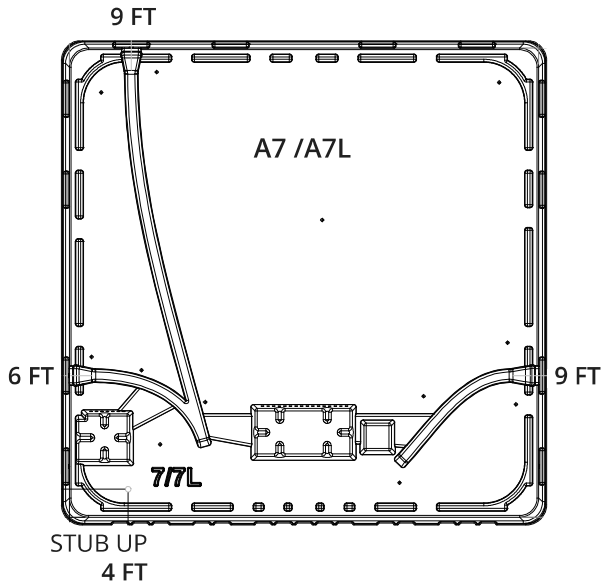
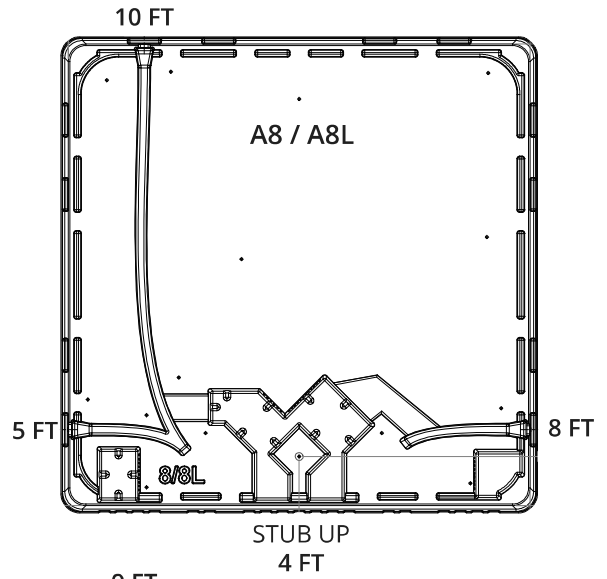
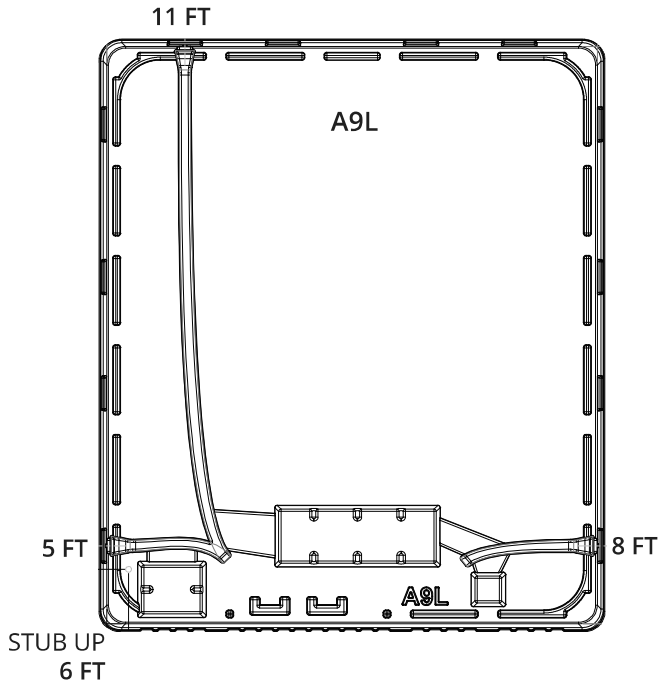


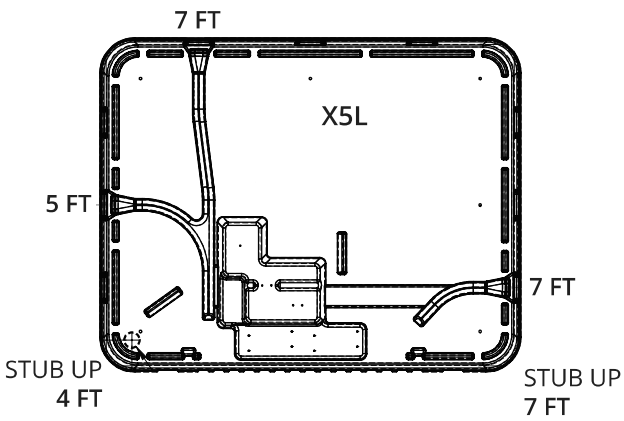
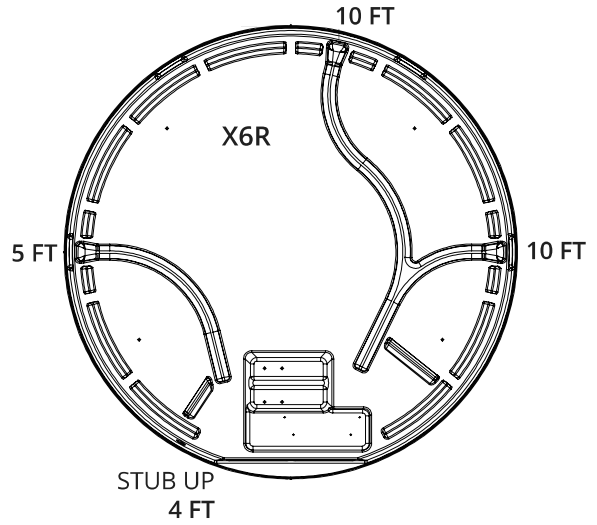
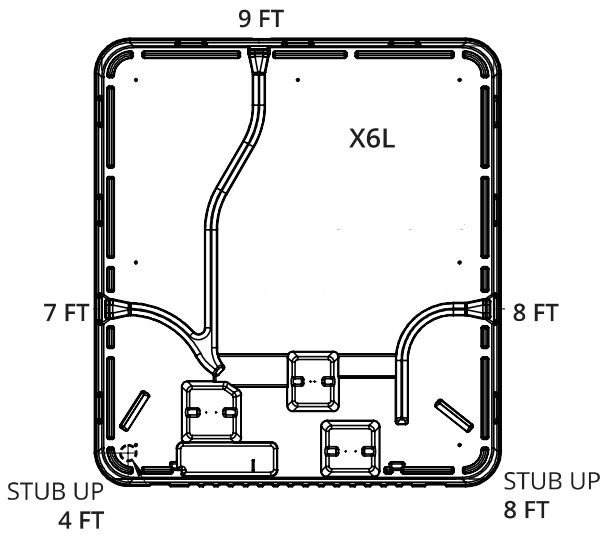
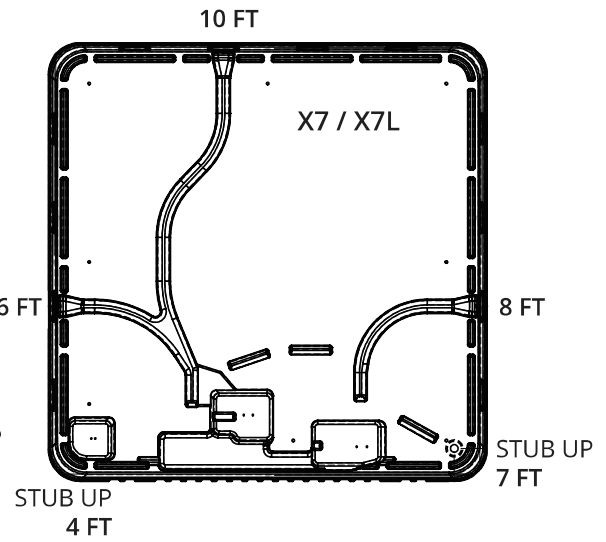
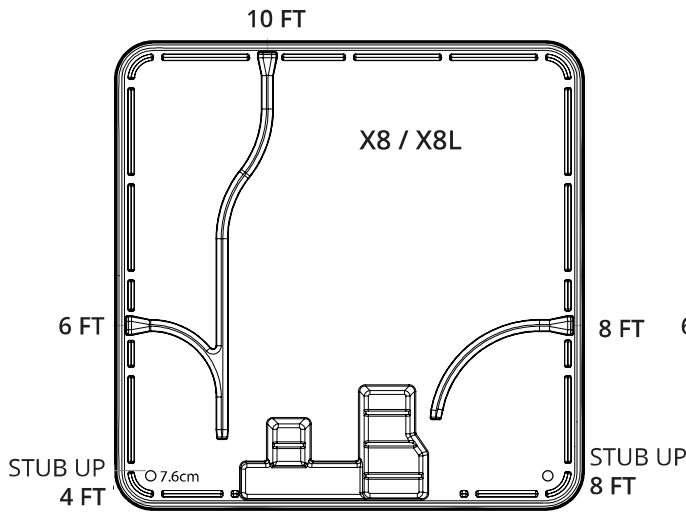
+



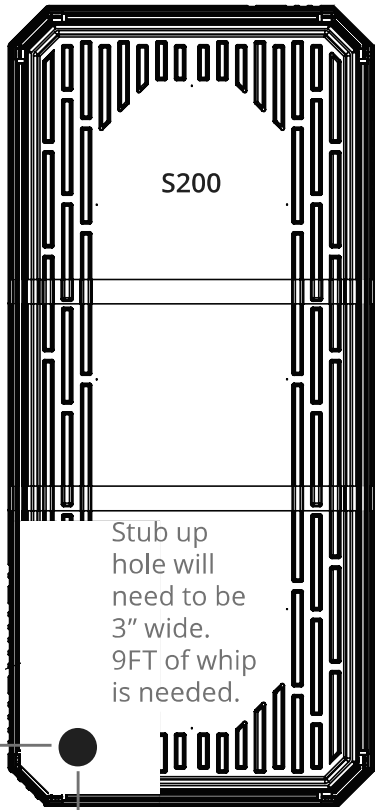
=











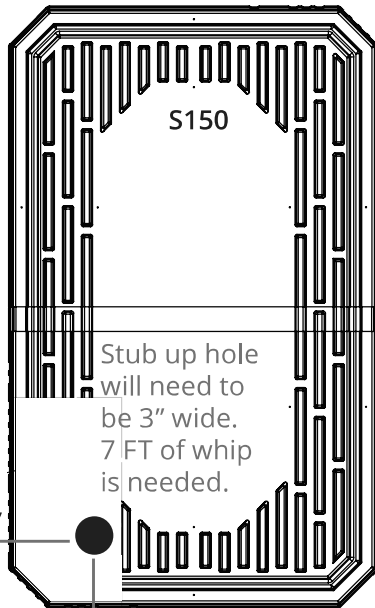
8 FT of whip  
needed from the  
equipment side

Stub up  
hole will  
need to be  
3" wide.  
9FT of whip  
is needed.

STUB UP  
20"

STUB UP  
12"

10 FT of whip is needed  
from the short side.



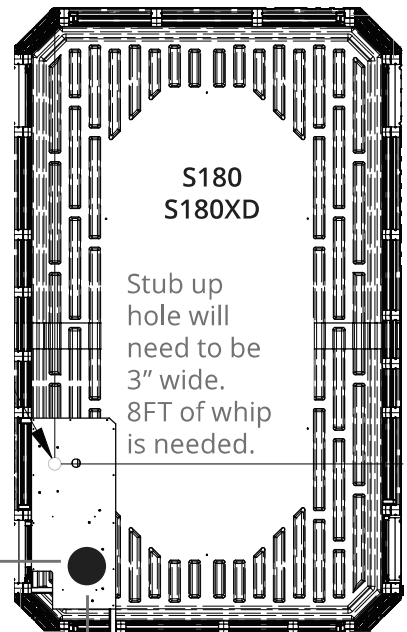
7 FT of whip  
needed from the  
equipment side

Stub up hole  
will need to  
be 3" wide.  
7 FT of whip  
is needed.

STUB UP  
Range of 29"-43"

STUB UP  
Range of 19"-36"

9 FT of whip is needed  
from the short side.



7 FT of whip  
needed from  
the equipment  
side

Stub up  
hole will  
need to be  
3" wide.  
8FT of whip  
is needed.

STUB UP  
20"

STUB UP  
12"

10 FT of whip is needed  
from the short side.